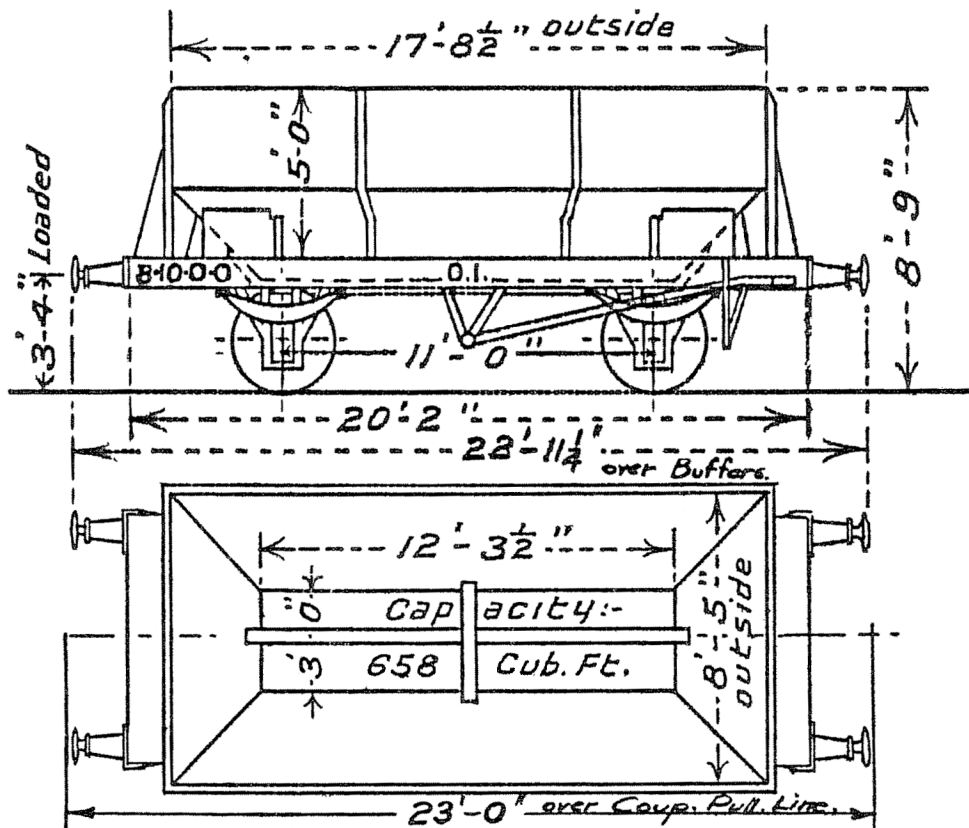


0

TO CARRY 16 TONS



*NN Altered at Newport Shops 1920, Nos 1,2,3,4,5.*

*Total 5. All welded Nos 4,5.*