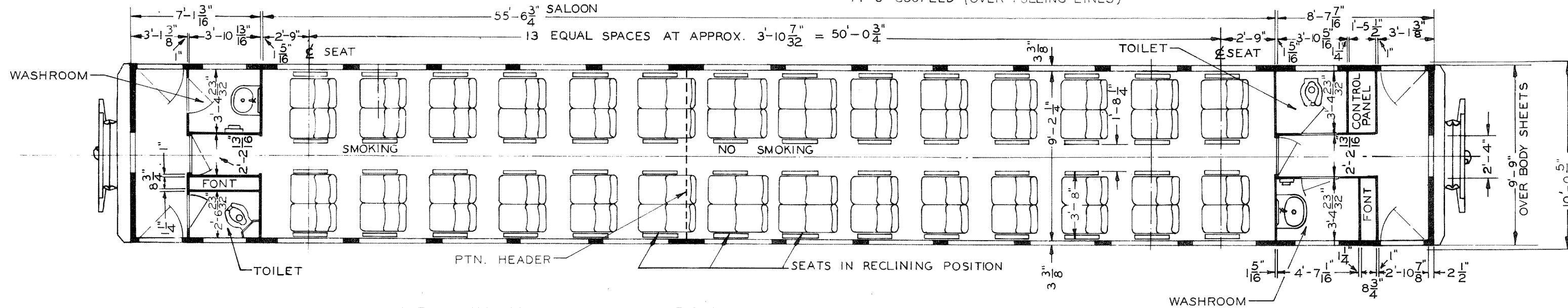
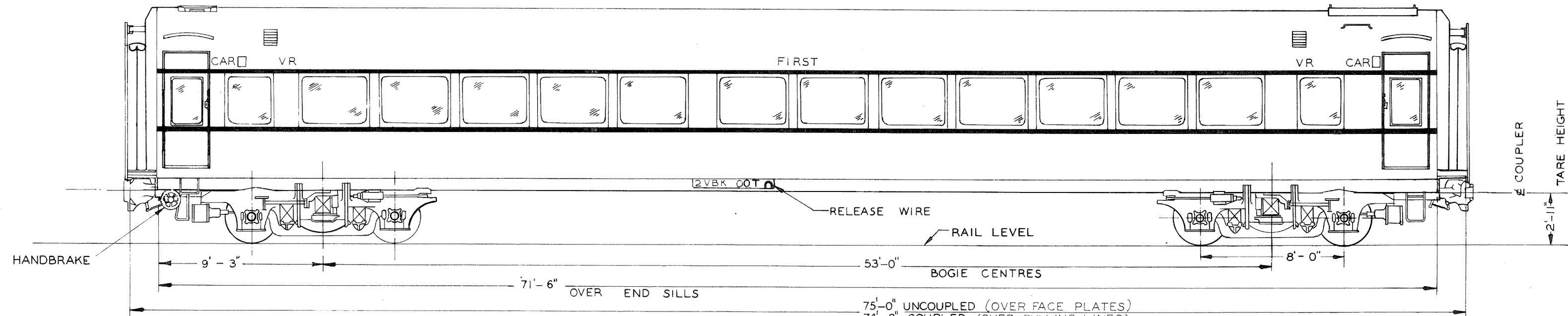


MEN'S END. NO. 1 END.

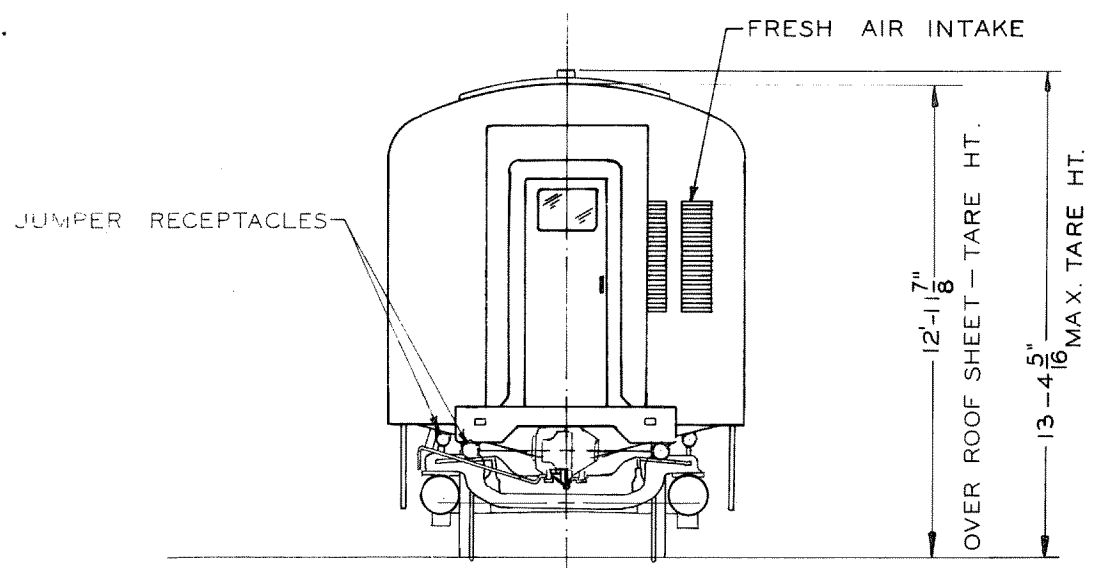
LADIES' END. NO. 2 END.



CAST STEEL ROLLER BEARING BOGIES  
WHEELS 3'-0 1/4" DIA.

NOTES:- ALL CARS FITTED WITH READING LIGHTS  
 " " " " COMPOSITE AIR DUCT & 2" DISTRIBUTION PANELS  
 " " " " FLOOR HEAT. 4248 WATTS, AIR HEATERS 5250 WATTS. = 9498 WATTS.  
 " " " " LAMINEX PANELS INTERNALLY.  
 " " " " PUBLIC ADDRESS SYSTEM.  
 " " " " 230 VOLT RAZOR OUTLET - MEN'S & LADIES' WASHROOM.  
 " " " " FLUORESCENT LIGHTING  
 VBK NOS. 1 & 2 FITTED WITH BATTERIES - 120 VOLTS EMERGENCY SUPPLY

No. 1	FITTED WITH 56 SEATS	EX 48.1967
No. 2	" " " "	" " .1970
No. 3	" " " "	" " .1969
No. 4	" " " "	" " .1969
No. 5	" " " "	" " .1966



56 PASSENGERS  
 AIR CONDITIONING 415 VOLTS, 50 Hz HEAD END SUPPLY  
 RECLINING & ROTATING SEATS WITH FOOT RESTS  
 AIR CONDITIONING CAPACITY 7 TONS. REFRIGERANT FREON 12.  
 BUILT AT NEWPORT WORKSHOPS AS AZ NOS. 9-13. 1959  
 CONVERTED TO VBK 1962  
 Nos. 1, 2, 3, 4, 5.

BODY ARRGT.	AZ 10V
UNDERFRAME ARRGT.	AZ 10Q
FLOOR AREA	650 SQ. FT.
WATER CAPACITY - COLD	280 GALLONS
WATER CAPACITY - HOT	20 GALLONS
BOGIES 4'-8 1/2" GAUGE	B.K. 3576 MODIFIED
BRAKE CYLINDER	4 NO. 10" DIA. X 8" STROKE
TARE VBK NOS. 1 & 2	47T - 10C - 0A - 0L
BRAKE % AIR	90.3 % TARE
BRAKE % HAND	15.6 % TARE
TARE VBK NOS. 3 - 5	43T - 9C - 2A - 0L
BRAKE % AIR	99.3 % TARE
BRAKE % HAND	17.1 % TARE

TOTAL 5

VICTORIAN RAILWAYS	
CLASS	VBK
SALOON CAR	

V-1  
 CAR  
 22-1-75.